



MP C2800 / C3300 / C4000 / C5000
MP C2800 / C3300 / C4000 / C5000
Aficio MP C2800 / C3300 / C4000 / C5000

Operating Instructions Copy and Document Server Reference



- 1 Placing Originals
- 2 Basic Copying
- 3 Color Copying
- 4 Advanced Copying
- 5 Document Server
- 6 Copier / Document Server Features
- 7 Appendix

Read this manual carefully before you use this machine and keep it handy for future reference. For safe and correct use, be sure to read the Safety Information in "About This Machine" before using the machine.

File Name: C3300 manual.pdf

Size: 4998 KB

Type: PDF, ePub, eBook

Category: Book

Uploaded: 18 May 2019, 18:43 PM

Rating: 4.6/5 from 745 votes.

Download Now!

Please check the box below to proceed.



I'm not a robot



reCAPTCHA
Privacy - Terms

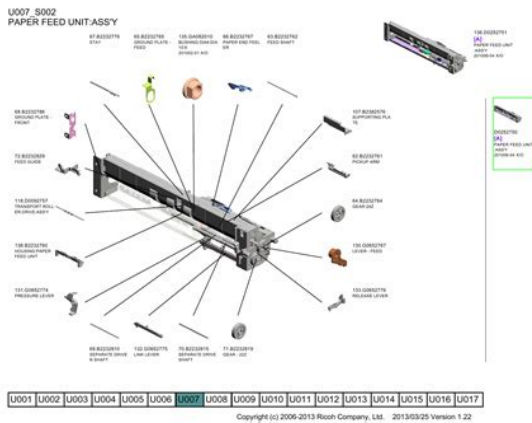
Book Descriptions:

C3300 manual



We have 8 Ricoh Aficio MP C3300 manuals available for free PDF download Function Manual, Operating Instructions Manual, Manual, User Manual, Reference Manual, Specification. Your data will be processed in accordance with our Privacy Policy. To allow those updates, explore and engage with Konica Minolta's Business Innovation Centre Europe today Discover the bizhub iSeries! The bigger the organisation, however, the less productive and more energy consuming it is to keep an eye on every single cost. It can be even. Whether you're leading an international corporation or a medium-size enterprise, you're probably struggling to increase employee productivity. Keeping this at a constant. Documents, personal data, addresses, budgets, plans, mockups and countless other resources are printed. It's about a disruptive change to the nature of the. Most importantly, though you want it to perform reliably! Users can flick, scroll and enlarge just like a smartphone or tablet. IDC, a premier global provider of market intelligence, has named Konica Minolta as a Leader in its "IDC MarketScape Western Europe Smart Multifunction Peripheral 2018 Vendor Assessment". According to the report, Konica Minolta has demonstrated the strength of both its strategy and capabilities and is "recognised globally as a leading smart MFP provider of note." According to the report, Konica Minolta has demonstrated the strength of both its strategy and capabilities and is "recognised globally as a leading smart MFP provider of note." Your data will be processed in accordance with our Privacy Policy. To allow those updates, explore and engage with Konica Minolta's Business Innovation Centre Europe today. If you are looking for detailed technical specifications, please see our Specs page. In this document are contains instructions and explanations on everything from setting up the device for the first time for users who still didn't understand about basic function of the phone. <http://www.rbconnections.co.uk/uploads/delta-10-miter-saw-manual.xml>

- **ricoh c3300 manual, oki c3300 manual, oki c3300 manual pdf, mp c3300 manual, docuprint c3300 manual, ricoh mp c3300 manual, ricoh aficio c3300 manual, aficio mp c3300 manual, cuddeback expert c3300 manual, docucentre-iii c3300 manual.**



PDF is a file format designed to present documents consistently across multiple devices and platforms. It was developed by Adobe 1992 and has since become one of the most widely used formats for saving and exchanging documents. It also contains page layout information, which defines the location of each item on the page, as well as the size and shape of the pages in the document. This information is all saved in a standard format, so the document looks the same, no matter what device or program is used to open it. For example, if you save a PDF on a Mac, it will appear the same way in Windows, Android, and iOS. It can store embedded fonts so you do not need to have the appropriate fonts installed to view the document correctly. PDF documents may also be encrypted so only authorized users can open them. File sizes can be measured in bytes B, kilobytes KB, megabytes MB, gigabytes GB, terabytes TB, and beyond. View and Download Samsung HM3300 user manual online. User Manual Ver. 1.0 English. HM3300 Headsets pdf manual download. View and Download Samsung SPD3300 user manual online. Samsung PTZ Dome Camera User's manual. Reload to refresh your session. Reload to refresh your session. Please contact us for options. Precision Roller is in no way affiliated, sponsored or endorsed by these copyright owners or their affiliates or dealers. This website uses a secure server to encrypt all sensitive information. When the rear paper stacker is folded down, paper exits through the rear of the printer and is stacked face up. Use the markings on the printer as a guide. 4. Load the paper 1. Use the level indicators 2 as a guide. See "Using the printer software" on page 83 for more information. These new settings will be saved as the printer driver defaults. PAGE SETUP OPTIONS LAYOUT Multiple pages can be shrunk and printed on a single sheet of paper. These appear in the paper size menu and can be selected just like any other paper size. <http://www.lospinello.it/public/news/delta-10-radial-arm-saw-manual.xml>

AKAI Service Manual

MODEL
AJ-C3300

CAUTION : Before servicing the chassis, read the "important service safety information" section on page 2 of this manual.

PORTABLE AM/FM RADIO WITH CD PLAYER AND CASSETTE RECORDER



SPECIFICATIONS

AM/FM TUNER SECTION	
ANTENNA SYSTEM	AM: FERRITE BAR FM: TELESCOPIC
TUNING RANGE	AM: 620-1600kHz FM: 87.5-108MHz
AUDIO SECTION	
SPEAKER IMPEDANCE	: 4 Ohms
OUTPUT	: 2.6W
POWER INPUT	: AC 230V, 50Hz DC 12V
AC POWER CONSUMPTION	: 15W
DIMENSIONS	: 206(L) x 224(W) x 206(D)mm
WEIGHT	: 8.2kg

CONTENTS

IMPORTANT SERVICE SAFETY INFORMATION	-----
DISASSEMBLY INSTRUCTIONS	-----
ADJUSTMENT LOCATIONS	-----
ALIGNMENT PROCEDURES	-----
IC BLOCK DIAGRAMS	-----
VOLTAGE CHARTS	-----
BLOCK DIAGRAM	-----
WIRING DIAGRAM	-----
PRINTED CIRCUIT BOARDS	-----
SCHEMATIC DIAGRAMS	-----
EXPLODED VIEW/PARTS LIST(CABINET)	-----
REPLACEMENT PARTS LIST	-----

SERVICE PUBLICATION

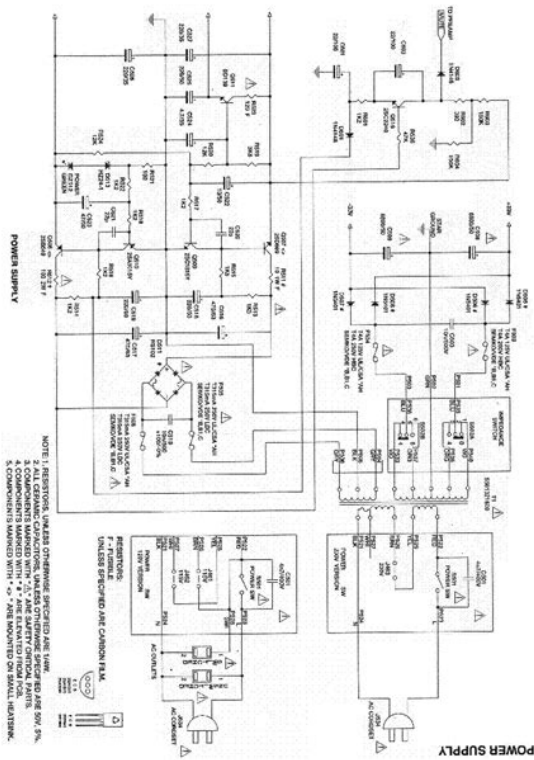
Note: All the specifications/features subject to change without notice.

11 JUN 2002

Paper Source Selects which paper tray to use for your print job. Quality Selects the print resolution. Composite Black CMYK Uses all 4 toner colors to represent black. Recommended for color photos. True Black K Uses 100% black toner to represent black. For example, choosing 4up will tile four of your documents pages across a single sheet of paper. The driver version is also displayed. If you select Collate, all pages of the document will print before the next copy prints. For example, choosing 4up will tile four of your documents pages across a single sheet of paper. You can also assign a priority to a print job. This is useful in a busy office with many people sharing the printer. The ProQ2400 setting produces the best graphic images, but these images can take longer to print. Advanced Color Allows you to manually adjust color and black and white settings or select. Select Composite Black CMYK to use all 4 toner colors to represent black. This option is recommended for color photos. TEST PRINTING PRINT A DEMO PAGE Switch on the printer and allow it to warm up. The message window should disappear from your screen and the document finishes printing the remaining pages of your document. Ensure that the paper is gripped in place. 7. Press the ON LINE button. The remaining pages of your document print on the blank side of the paper. PRINTING PHOTOGRAPHIC IMAGES Use the Monitor 6500k Perceptual setting. This is supplied on the CDROM that was supplied with your printer. You must install it separately since it is not installed along with the printer driver. MEDIA MENU This menu provides adjustment to suit a wide range of print media. JAM RECOVERY ON/OFF Specifies whether the printer should perform jam recovery after a paper jam has occurred. MAINTENANCE MENU ITEM SETTINGS EXPLANATION MENU RESET EXECUTE Resets menus to default settings. It is contained in four cartridges one each for cyan, magenta, yellow and black. WARNING!

If the printer has been powered on, the fuser may be hot. This area is clearly labelled. Pressing gently down on the cartridge to ensure that it is firmly seated, push the coloured lever 1 towards the rear of the printer. This option is only available for the C3400n printer. Pull out the Cassette Tray and ensure that all paper is stacked properly, is undamaged, and that the paper guides are properly positioned against the edges of the paper stack. In some phone models, you may need insert a memory card into your phone for the mass storage connection. Manage your files as you would with

a connected mass storage device. 6 Prev Next. Using the online preview, you can quickly view the contents and go to the page where you will find the solution to your problem with Ricoh Aficio MP C3300. To start viewing the user manual Ricoh Aficio MP C3300 on full screen, use the button Fullscreen. However, if you do not want to take up too much of your disk space, you can always download it in the future from ManualsBase. The option to print the manual has also been provided, and you can use it by clicking the link above Print the manual. You do not have to print the entire manual Ricoh Aficio MP C3300 but the selected pages only. paper. If you want to quickly view the content of pages found on the following pages of the manual, you can use them. This page requires Javascript. Modify your browsers settings to allow Javascript to execute. See your browsers documentation for specific instructions. To install your download click on the name of the downloaded file. Canon Authorized Dealers provide the highest quality service and are supported by Canon certified technicians using Canon Genuine parts. Please contact your Canon Authorized dealer for all your service needs. Need to find a dealer Cannot be installed with Cabinet TypeJ. Staple FinisherU1 and Booklet FinisherU1 cannot be installed at the same time and cannot be installed with Inner FinisherG1 or with Copy TrayJ2.

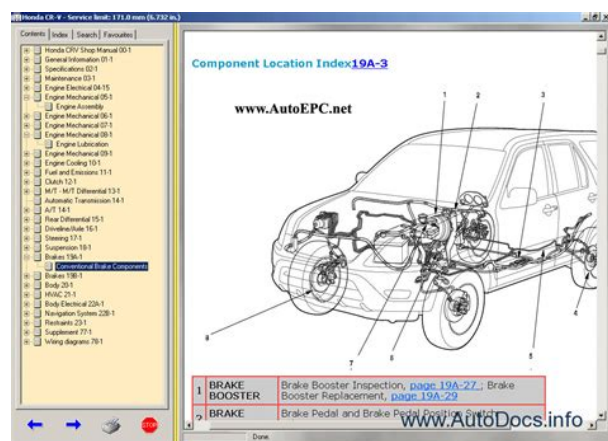


<http://www.diamondsinthemaking.com/content/3m-2770-manual>

The driver may be included in your OS or you may not need a driver. Recommended Drivers File Name Date File Size Optional Drivers File Name Date File Size Recommended Software File Name Date File Size Optional Software File Name Date File Size Recommended Manuals File Name Date File Size Optional Manuals File Name Date File Size. Youll find such information in the Manual of your Ricoh MP C3300 router. But if you do not have the manual for your router or you do not want to read the whole manual to find the default login information then you can use the quick guide below. To get to the router login page its necessary that you are connected to the router. After some seconds our tool will show a link to your router login page. Click on the shown link. The default password is blank. Sometimes the username and password doesnt work that we mentioned in the

top of this guide. Did you try the following IPs In the list below we listed all known router IPs for the manufacturer Ricoh. Maybe this will work for you. This can be done easily by clicking on the reset button at the back or at the bottom of your router. If you hold down this small button for approximately 20 seconds, you may have to use a toothpick, then your modem will get restored to the factory settings. What you need to keep in mind is that when you reset your modem, you will lose your connection online. It is therefore better to take an experts assistance in this regard. If you are looking for detailed technical specifications, please see our Specs page. Smartphone Repairing Samsung C3300 Hello Kitty user manual. You may have to register before you can post click the register link above to proceed. To start viewing messages, select the forum that you want to visit from the selection below. Silahkan ubah ke enable JavaScript untuk memastikan anda mendapat manfaat maksimal dari situs, produk dan layanan LG Untuk mendapatkan pengalaman terbaik dari situs web kami, silakan ikuti instruksi di bawah ini.

<http://www.compass-it.com/images/brannstrom-odme-manual.pdf>



Jika andamenggunakan Internet Explorer 9 atau dibawahnya, anda harus menggunakan browser lainnya seperti Firefox atau Chrome atau upgrade Internet Explorer ke versi yang terbaru IE10 atau diatasnya. Biaya untuk Layanan produk di Luar Garansi akan dikenakan untuk diagnosis, suku cadang dan perbaikan. Beberapa perangkat. Chat atau Email. Apakah anda memerlukan informasi, pertanyaan mengenai produk dan masalah produk. Kami bersedia untuk membantu. Anda dapat melakukan registrasi produk, berkomunikasi dengan LG Customer Service, atau meminta Layanan Perbaikan. Temukan jawaban dan informasi dengan mudah melalui layanan LG online dan Support untuk produk Anda. Buku Manual, Permintaan Perbaikan, Update Software, Troubleshooting produk dan Informasi Garansi. Semuanya dapat Anda dapatkan hanya dengan satu klik disini. If you want to connect to LG Corp., or other LG affiliates, please click If you want to connect to LG Corp., or other LG affiliates, please click.

<http://completedetailspainting.com/images/brandt-wm-550-manual.pdf>



<https://nicemexico.net/wp-content/plugins/formcraft/file-upload/server/content/files/1626ea4df40257---bosch-ltc-0928-manual.pdf>

<BABYBASKETSONLINE.COM/userfiles/files/colt-1911a1-manual.pdf>

<https://www.informaquiz.it/petrgenis1604790/status/flotaganis20032022-1108>