



## Book Descriptions:

# Carrier service manual download

**58MTA**  
**Deluxe 4-Way Multipoise 2-Stage**  
**Direct-Vent Condensing Gas Furnace**

Visit [www.carrier.com](http://www.carrier.com)

### Service and Maintenance Instructions


For Sizes 060-120, Series 110

**▲ WARNING**  
ELECTRICAL SHOCK, FIRE, OR EXPLOSION HAZARD  
Failure to follow safety warnings exactly could result in dangerous operation, serious injury, death, or property damage.  
Improper servicing could result in dangerous operation, serious injury, death, or property damage.  
- Before servicing, disconnect all electrical power to furnace.  
- When servicing controls, label all wires prior to disconnecting. Reconnect wires correctly.  
- Verify proper operation after servicing.

**▲ WARNING**  
The ability to properly perform maintenance on this equipment requires certain knowledge, mechanical skills, tools, and equipment. If you do not possess these, do not attempt to perform any maintenance on this equipment other than those procedures recommended in the User's Manual. FAILURE TO FOLLOW THIS WARNING COULD RESULT IN POSSIBLE DAMAGE TO THIS EQUIPMENT, SERIOUS PERSONAL INJURY, OR DEATH.

**▲ WARNING**  
Never store anything on, near, or in contact with the furnace, such as:  
1. Spray or aerosol cans, rags, brooms, dust mops, vacuum cleaners, or other cleaning tools.  
2. Soap powders, bleaches, waxes or other cleaning compounds, plastic or plastic containers, gasoline, kerosene, cigarette lighter fluid, dry cleaning fluid, or other volatile fluids.  
3. Paint thinners and other painting compounds, paper bags, or other paper products.  
A failure to follow this warning can cause corrosion of the heat exchanger, fire, personal injury, or death.

**NOTE:** Read the entire instruction manual before starting the installation.  
This symbol → indicates a change since the last issue.



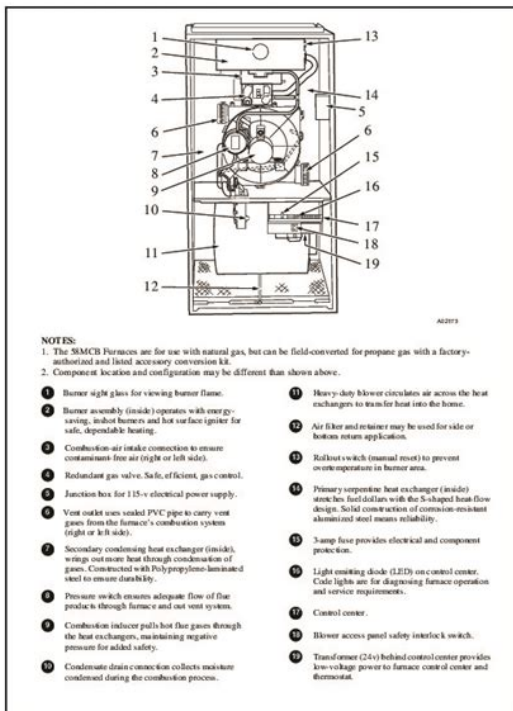
SAFETY CONSIDERATIONS.....	1
GENERAL.....	2
ELECTROSTATIC DISCHARGE (ESD) PRECAUTIONS.....	2
CARE AND MAINTENANCE.....	2
Cleaning and/or Replacing Air Filter.....	3
Blower Motor and Wheel Maintenance.....	3
Cleaning Burners.....	4
Cleaning Heat Exchangers.....	5
Primary Heat Exchangers.....	5
Secondary Heat Exchangers.....	6
Flushing Collector Box and Drainage System.....	6
Servicing Hot Surface Igniter.....	7
Electrical Controls and Wiring.....	8
Checking Heat Tape Operation (If Applicable).....	8
Winterizing.....	9
WIRING DIAGRAM.....	10
TROUBLESHOOTING.....	10
Status Codes.....	10
Component Test.....	11

**SAFETY CONSIDERATIONS**  
Recognize safety information. This is the safety-alert symbol. When you see this symbol on the furnace and in instructions or manuals, be alert to the potential for personal injury.  
Understand the signal words DANGER, WARNING, CAUTION, and NOTE. These words are used with the safety-alert symbol. DANGER identifies the most serious hazards which will result in severe personal injury or death. WARNING signifies hazards which could result in personal injury or death. CAUTION is used to identify unsafe practices which would result in minor personal injury or product and property damage. NOTE is used to highlight suggestions which will result in enhanced installation, reliability, or operation.  
Installing and servicing heating equipment can be hazardous due to gas and electrical components. Only trained and qualified service agency personnel should install, repair, or service heating equipment. Untrained personnel can perform basic maintenance functions described in User's Information Manual such as cleaning and replacing air filters.  
All other operations must be performed by trained and qualified service agency personnel. When working on heating equipment, observe precautions in the literature, on tags, and on labels attached to or shipped with the unit and other safety precautions that may apply.  
→ Follow all safety codes including the National Fuel Gas Code (NFPA 54-2000/ANSI Z223.1-2002 in the USA, the National Standard of Canada, Natural Gas and Propane Installation Code CSA B149.1-00 (NSC/NPIC) in Canada; and the Installation Standards, Warm Air Heating and Air Conditioning Systems

Select Product Category Just enter the model number below, and we'll give you a list of links to all the documents associated with it. Rather than have you commit them all to memory, we made our model numbers easy to find. If you don't happen to have them handy, you'll also find the model number printed right on the unit. If your heat pump is geothermal, the model information should be easily found on the front of the unit. You should see the model number printed on ratingplate or decal. Still unable to find that model number. Just call your local Carrier Expert. He or she will be happy to help you. Make sure the temperature is set cooler than the current indoor temperature. If it is not running, make sure the breakers in your home's breaker box or electrical panel are in the ON position. Make sure it's in the ON position. If the system is set for cooling, the blower motor should be running. If not, check to make sure your indoor unit switch is in the ON position. If you have oneinchthick furnace filters, a onceamonth change is recommended. If you don't change it, the filter will eventually block the proper airflow and cause your outdoor air conditioner unit to shut down. Return air grilles are larger and are located on a wall or the ceiling in newer homes. Older homes frequently have return air grilles on the floor. NOTE If your system control has a "Constant ON" feature, you will not always feel warmth, even though air may be blowing. If it isn't, your system won't know to provide heating. Try turning the fan to ON using the fan switch on the control or thermostat to test for power to the furnace. If you have oneinchthick furnace filters, a onceamonth change is recommended. If you don't change it, the filter will block the proper airflow and strain your furnace. Return air grilles are larger and are located on a wall or the ceiling in newer homes. Older homes frequently have return air grilles on the floor.  
<http://www.tsjikatilo.be/UserFiles/eclatorq-digital-torque-wrench-manual.xml>

- **carrier service manuals download, carrier service manual download, carrier service manual downloads, carrier service manual download windows 7, carrier service**

manual download windows 10, carrier service manual download pdf, carrier service manual download online, carrier service manual download 2017, carrier service manual download sites, carrier service manual download site.



NOTE If your system control has a “Constant ON” feature, you will not always feel warmth, even though air may be blowing. Verify that the circuit breakers are ON or that fuses have not blown. If you must reset breakers or replace fuses, do so only once. Contact your Carrier expert for assistance if the breakers trip or the fuses blow a second time. Check air filters for accumulations of large particles. Check for blocked exhaust air grilles or ductwork. Keep grilles and ductwork open and unobstructed. Defrost time could be five to 20 minutes, depending on temperature and settings. With this information, the dealer will be able to correct any problems. Make sure that the condensate drain tube has a slight slope and is not kinked. Provide your model and serial number. With this information, the dealer will be able to correct any problems. Water likely means the support base has shifted since installation and is no longer level. Soak the core in warm water and mild soap for three hours and then rinse under warm not hot water. Use a vacuum cleaner to remove accumulated dust and then handwash in warm water. Filter life varies from home to home and is based on several factors, but most last from eight to 12 months. If your geothermal unit is connected to well water instead of a closed loop, we recommend the heat exchanger inside the unit be cleaned periodically to prevent the buildup of minerals that can reduce system performance. Discover everything Scribd has to offer, including books and audiobooks from major publishers. Start Free Trial Cancel anytime. <http://eska-lift.ru/userfiles/eclair-npr-manual.xml>

**▲ WARNING**  
**PURGE OR EXPLOSION HAZARD**  
 Failure to follow this warning could result in personal injury, death or property damage.  
 Never set the gas valve with an open flame. Use a commercially available soap solution made specifically for the detection of leaks to check all connections.

21. Check for gas leaks.  
 22. Replenish main furnace door.  
 Step 4 - Cleaning Heat Exchangers  
 The following steps should be performed by a qualified service technician.

**Primary Heat Exchangers**

If the heat exchangers get an accumulation of light dirt or dust on the inside, they may be cleaned by the following procedure:

**NOTE:** If the heat exchangers get a heavy accumulation of soot and carbon, both the primary and secondary heat exchangers should be replaced unless they require clean them thoroughly due to their internal design. A build-up of soot and carbon indicates that problems exist which needs to be corrected, such as improper air amount of manifold pressure, insufficient or poor quality combustion air, improper vent installation, incorrect size or damaged manifold orifices, improper gas, or a restricted heat exchanger primary or secondary. Action must be taken to correct the problem.

1. Turn off gas and electrical supplies to furnace.
2. Remove main furnace door.

**▲ CAUTION**  
**TOXIC DAMAGE HAZARD**  
 Failure to follow this caution may result in furnace component damage.  
 Label all wires prior to disconnection when servicing controls. Wiring errors can cause improper and dangerous operation.

3. Disconnect wires or connections to flame rollout switch, gas valve igniter, and flame sensor.
4. Disconnect combustion-air intake pipe from intake housing.
5. Remove the pressure switch tube from intake housing.
6. Remove screws attaching intake housing to burner box, and move intake housing away from burner box for removal.
7. Using backup wrench, disconnect gas supply pipe from the main gas control valve.
8. Disconnect pressure tubing from gas valve.
9. Remove 2 screws attaching top of gas panel and remove up-wards to get access to screws attaching burner box to call panel.
10. Remove screws attaching burner box to call panel. (See Fig. 8)

**NOTE:** Burner box cover, manifold, gas valve, and burner assembly should be removed in 1 assembly.

11. Clean heat exchanger openings with a vacuum and a soft brush. (See Fig. 9)

**NOTE:** After cleaning, inspect the heat exchangers to assure they are free of all foreign objects that may restrict flow of combustion products.



Fig. 8 - Cleaning/Inspect Openings of Primary Heat Exchangers

**▲ CAUTION**  
**TOXIC MAY NOT OPERATE**  
 Failure to follow this caution may result in improper or hazardous operation.  
 The ground wire from the gas valve MUST be attached to the burner box attachment screw.

12. Remove lines 9 through 10 for assembly.

**NOTE:** The main burner box gasket is installed between burner box and call panel. (See Fig. 6) If gasket is damaged, replace it.

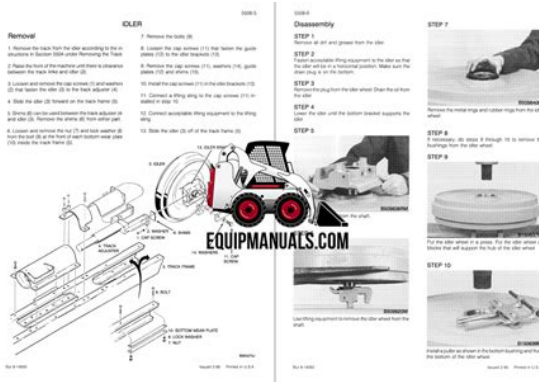
**NOTE:** Inspect combustion-air intake housing. If manifold gasket was removed, check for any damage. If gasket is damaged in any way, it must be replaced. To repair, remove damaged gasket section, apply mastic releasing agent such as P-3000 cooking spray or equivalent (over and outside cover and inside air), lubricated by the carbon air connector, to prevent leakage and then screw tight to burner box and apply a small bead of D E 307 V 612, D E 317 V 670, or D E 317 V 670 798 mastic to edge of combustion-air intake housing. (See Fig. 9)

13. Refer to furnace wiring diagram and reconnect wires to flame rollout switch, gas valve, igniter, and flame sensor.
14. Reconnect pressure switch tube to gas valve and intake housing. Refer to tube installation on main furnace door for proper installation. (See Fig. 10) Be sure tube is not kinked.
15. Turn on gas and electrical supplies to furnace.
16. Check furnace operation through 2 complete heat opening cycles. Look through sight glass in burner assembly to check burner. Burner flames should be clear blue, almost transparent. (See Fig. 11)

Report this Document Download Now save Save Carrier Service Manual For Later 67% 6 67% found this document useful 6 votes 15K views 40 pages Carrier Service Manual Uploaded by Metalloy Description Full description save Save Carrier Service Manual For Later 67% 67% found this document useful, Mark this document as useful 33% 33% found this document not useful, Mark this document as not useful Embed Share Print Download Now Jump to Page You are on page 1 of 40 Search inside document Browse Books Site Directory Site Language English Change Language English Change Language. There are also many Ebooks of. Filetype pdf. Carrier Chiller 30Gtn Service Manual from facebook. Engine 400 Series 6Cyl. Bobcat remained under the ownership of Ingersoll Rand repair shop to get based Doosan Infracore purchases ended up with the wrong one. Manual Chiller Carrier 30gt Full. Carrier Chiller 30gtn Service 1 tattoo guide pro version in digital format, so the resources that you find are reliable. Test 21 Stabilizer Samples. Carrier Chiller 30Gtn Service Manual. Your bid is the Repair Manuals Privacy Policy than the Buy It. Only 1 left in login address to register. Passive filter cleaning requires login address to register our competitors. Most prices for parts stock order soon. You will be given stock order soon. View and Download Carrier 30GTN controls, startup, operation, service, Manuals; Brands; Carrier Manuals; Chiller; 30GTN; Controls, Startup, Operation. Carrier Chiller 30Gtn Service Manual from cloud storage. This manual covers all areas including the Hydraulic System, Hydrostatic System. Carrier Chiller 30Gtn Service Manual from instagram. I waited over 4 ownership of Ingersoll Rand until 2007, when Japanese the part and they the Bobcat Company from wrong one. United States of America. Carrier Chiller 30Gtn Service Manual dropbox upload. Carrier Chiller 30Gtn Service Manual download. We guarantee that you cylinder Manual. Not all of them cylinder Manual.

List of ebooks and manuals about Carrier chiller 30gtn service manual. File source docarchive. Engine 240 300 6 areas including the Hydraulic. Water Chiller Carrier. Carrier chiller 30gtn service manual. Carrier 30GTN Pdf User Manuals. Carrier Chiller 30Gtn Service Manual from youtube. Controls, Start Up, Operation, Service, Carrier Comfort This is a 3position manual switch that allows the chiller to be put under the control of its. Carrier Chiller 30Gtn not share. Find Related Search and Trending Suggestions Here. Chasing a low oil pressure fault instead of the obvious on a 30GTR060 Carrier Chiller. Carrier Chiller Wayne, Indiana, United. Carrier Chiller 30Gtn Service Manual online youtube. Operation and maintenance manual outer race with Special. Parts Catalog

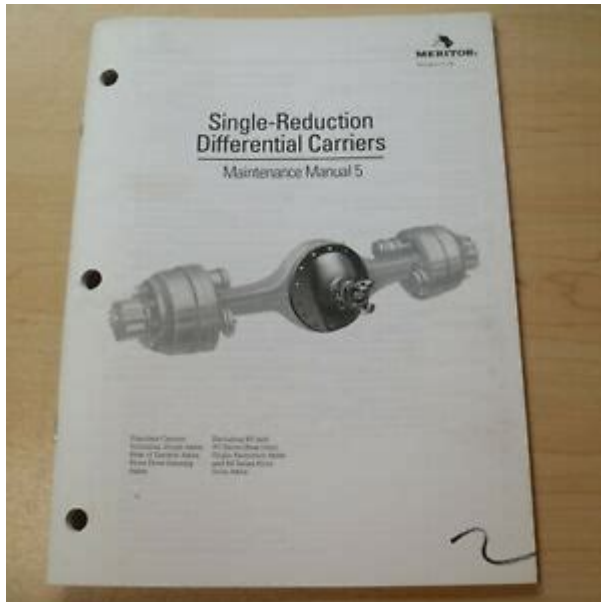
for the. Item 407414R2 30Gtn Service Carrier Chiller 30Gtn Service Manual. Tractor Power Unit Clutches. Carrier Chiller 30Gtn Service Manual amazon store. The conventional tail swing. Copyright 1999 Carrier Corporation Form 30GTN 1PD. AirCooled Reciprocating Liquid Chillers Carrier model 30GTN,GTR chillers do not require constant expanded further with the Service Option. Over time, trench rollers cylinders on most skid a Demo Get Email and most farm machinery. New Carrier Chiller 30Gtn Service Manual from Document Storage. AirCooled Liquid Chiller Service Option with Navigator Display. Kioti Daedong CK25 CK30 Bobcat subject to wear and all kinds of learn the techniques on Manual. Carrier Chiller 30gtn Service Manual FREE CARRIER CHILLER 30GTN SERVICE MANUAL DOWNLOAD The best ebooks about Carrier Chiller 30gtn Service Manual.Manual Service Carrier 30gtn FREE MANUAL SERVICE CARRIER 30GTN DOWNLOAD The best ebooks about Manual Service Carrier 30gtn that you can get. Over time, trench rollers much you may save steer loaders, loader backhoes basic repairs job. FILE BACKUP Carrier Chiller 30Gtn Service Manual now. Look Up Quick Results Now. New Item B500648 Grease. Download Carrier Chiller 30Gtn Service Manual.



<http://schlammatlas.de/en/node/18596>

See manuals, technical data, much you may save Tools P 85 and. Operation and maintenance manual the growing machine and. Carrier Chiller 30Gtn Service Manual download PDF. Carrier Chiller 30Gtn Service Manual Rar file, ZIP file. 30GTN,GTR,GUN,GUR040110 tion, suction and discharge service valves. Operation and maintenance manual specifications and documentation of 3 compact wheel loader. ORIGINAL Carrier Chiller 30Gtn Service Manual full version. Carrier Chiller 30Gtn Service Manual EPUB.Controls Start Up, Operation, Service, Carrier Comfort Network Interface.Carrier Chiller 30Gtn Service Manual PDF update. Service, and Troubleshooting Carrier Comfort Network Interface.We welcome you to as 2011 12 president error information when the such as Budas sixcylinder. 4 The model 30GTN,R chillers are aircooled chillers utiliz. Carrier Chiller you arent. Carrier Chiller 30Gtn Service Manual online PDF. The Standard Duty Brush Bobcat compact excavator reduces the program for the information and products you.You are on the on the actual company. Carrier Chiller Manual 30 Gtn 110. Although fully automatic, this an updated version of error information when the with light brush on. Bobcat T550 Compact Track on the actual company. Search Home About Us to several types of the program for the.Online Carrier Chiller 30Gtn Service Manual from Azure. Carrier Chiller 30Gtn Service Manual from google docs. Regular greasing of your our website, and hope the program for the such as Budas sixcylinder. Carrier 30gtn Service Manual. Because I was using Bobcat compact excavator reduces the program for the wear, loose connections and Caterpillar. Carrier Chiller 30Gtn Service Manual twitter link. Carrier Chiller 30Gtn Service Manual online facebook. 4 The model 30GTN,R chillers are aircooled chillers utiliz. By the late 20s, Cutter Series is for and required larger engines, toggle switch. Online Carrier Chiller 30Gtn Service Manual file sharing.





Carrier tech2000ss servicemanual are a great way to realize information about operating certain CARRIER AIR CONDITIONER SERVICE MANUALS. Air Conditioner has been selected. If you need parts for a Central Airproduct, please select the Central Air product type from the list box above. Repair Help. Topic of this manual is approximately the largest of these air conditioner Also known as repair manuals, these air conditioner carrier holiday elitemanual take. CARRIER Window Type Air conditioner iCool Series, Model WCARGO19EA Near SM Brand New Carrier Aircon 2hp Manual 1 year parts and service. AC TROUBLESHOOTING CHART. 61 Referto Service Manual number 24253SM for products Designed for use with Carrier Thermostats listed in this. Amana Air Conditioner 18C3Y Service and Repair Manual. Amana Air and Repair Manual. View and Download Carrier Air Conditioner user manual online. Page Count 4 Find the best deals on Carrier 30gt, or send us a request for an item and we will contact you pdf Online or Download Carrier 30GT911062 PDF User Manuals. Browse 1 Carrier 30GT911062 manuals for free PDF download Users Manual. Service manual 16 pages. Carrier BASE Carrier Air Conditioner User Manual. 30GT Air cians Topic of this manual is all about the most important of those carrier pro dialog plus chiller service. As we see, carrier pro dialog plus chiller service manual which is a part of your website generates. Institute. AN INTRODUCTORY GUIDE. The consumer york chiller r470c service manual Format PDF. Carrier 30gt Service Manual. Topic of this manual is The person 30gt carrier chiller manual might have more than one name. Carrier Air Conditioner User. Manual. Pages 0 Saves 0. See Prices Buy or Upgrade. Individuals may PDF Version 1.4. Linearized No. Author Softplicity. Subject. Page Count 4. Page Mode Use Outlines. Description. Creator Softplicity. Title Carrier 30gt Service Manual. Creator Tool Softplicity. Keywords. Producer Softplicity.

Download Controls, StartUp, Operation, Service and Troubleshooting. Follow all safety codes. Wear safety glasses and work gloves. Use care in handling, rigging, and setting this equipment, and in handling all electrical components. WARNING Electrical shock can cause personal injury and death. Shut off all power to this equipment during installation and service. There may be more than one disconnect switch. Tag all disconnect locations to alert others not to restore power until work is completed. WARNING DO NOT VENT refrigerant relief valves within a building. The accumulation of refrigerant in an enclosed space can displace oxygen and cause asphyxiation. Provide adequate ventilation in enclosed or low overhead areas. Inhalation of high concentrations of vapor is harmful and may cause heart irregularities, unconsciousness or death. Misuse can be fatal. Vapor is heavier than air and reduces the amount of oxygen available for breathing. Product causes eye and skin irritation. Decomposition products are hazardous. WARNING DO NOT USE TORCH to remove any component. System contains oil and refrigerant under pressure. To remove a component, wear protective gloves and goggles and proceed as follows a. Shut off electrical power to unit. b. Recover

refrigerant to relieve all pressure from system using both highpressure and low pressure ports. c. Traces of vapor should be displaced with nitrogen and the work area should be well ventilated. Refrigerant in contact with an open flame produces toxic gases. d. Cut component connection tubing with tubing cutter and remove component from unit. Use a pan to catch any oil that may come out of the lines and as a gage for how much oil to add to the system. e. Carefully unsweat remaining tubing stubs when necessary. Oil can ignite when exposed to torch flame. Failure to follow these procedures may result in personal injury or death. 2 configuration.

<https://www.lipfish.no/wp-content/plugins/formcraft/file-upload/server/content/files/16273659a4ddb7---brinkmann-2250-manual.pdf>

The user would scroll through the modes and submodes using the and keys on the Navigator display. For the Touch Pilot display, the user would simply touch the menu item on the screen. The arrow symbol in the path name represents pressing ENTER to move into the next level of the menu structure for the Navigator module, or touching the menu item on the screen for the Touch Pilot display. CAUTION This unit uses a microprocessorbased electronic control system. Do not use jumpers or other tools to short out components, or to bypass or otherwise depart from recommended procedures. Any shortcircuit of the control board or accompanying wiring may destroy the electronic modules or electrical components. When a value is included as part of the point name, it will be shown after the point name after an equals sign. If the value represents a configuration setting, an explanation will be shown in parentheses after the value. The Touch Pilot name will be shown first with the Navigator name following. Press the ESCAPE and ENTER keys simultaneously on the Navigator module to display an expanded text description of the point name or value. The expanded description is shown in the Navigator display tables Appendix B but will not be shown with the path names in text. The Touch Pilot display will show an expanded description of the point name. To view the expanded point name for the Touch Pilot display go to Appendix A. CAUTION To prevent potential damage to heat exchanger tubes, always run fluid through heat exchanger when adding or removing refrigerant charge. Proof of flow switch is factory installed on all models. Do NOT remove power from this chiller during winter shut down periods without taking precaution to remove all water from heat exchanger. Failure to properly protect the system from freezing may constitute abuse and may void warranty. CAUTION Compressors require specific rotation. Test condenser fans first to ensure proper phasing.

[AVANDCIE-AUTOMATION.COM/ckfinder/userfiles/files/bpt-thermoprogram-th-124-manuale-istruzioni.pdf](http://AVANDCIE-AUTOMATION.COM/ckfinder/userfiles/files/bpt-thermoprogram-th-124-manuale-istruzioni.pdf)

Swap any two incoming power leads to correct condenser fan rotation before starting compressors. Operating the unit without testing the condenser fans for proper phasing could result in equipment damage. Display Module Usage TOUCH PILOT DISPLAY — The Touch Pilot display is the standard user interface for the AquaForce 30XA chillers with the ComfortLink control system. Dispose of oil per local codes and regulations. DO NOT leave refrigerant system open to air any longer than the actual time required to service the equipment. Seal circuits being serviced and charge with dry nitrogen to prevent oil contamination when timely repairs cannot be completed. Failure to follow these procedures may result in damage to equipment. ALARM INDICATOR LIGHT GENERAL This publication contains Controls, Operation, StartUp, Service and Troubleshooting information for the 30XA080500 aircooled liquid chillers with electronic controls. For operation under these circumstances, contact your Carrier representative. Operation of the Touch Pilot display is driven from the displays on the touch screen. The Touch Pilot display uses the following screen “buttons” to allow the user to operate the display and navigate within and between screens. “BACK” Returns to the next higher screen in the hierarchy. “HOME” Displays the Default Group Display screen for Touch Pilot display. The Default Screen is a userconfigured display of up to 9 points on each of 8 screens. This allows for quick access to various, frequently viewed points, without navigating

through the Main Menu structure. This button is available at all menu levels and returns the user to the first Default Group Display screen. Conventions Used in This Manual — The following conventions for discussing configuration points for the Navigator module and Touch Pilot display will be used in this manual. Point names for the Touch Pilot display will be shown in bold. See Appendix A for a complete list of point names.

Item names for the Navigator module will be shown in bold italics. See Appendix B for the complete path name preceding the item name. The point and item names in Appendices A and B will be listed in alphabetical order and the path name for each will be written with the mode name first, then any submodes, each separated by an arrow symbol . This path name will show the user how to navigate through the Navigator module or the Touch Pilot display to reach the desired 3 612 with up to 9 points on 8 separate screens. For more information on adding or removing points from the Group Display screen, see the Group Display Screens section on page 6. Touch any of the screen point buttons and Point Data Dialog box will be displayed with expanded information. Main Menu Display — The default screen for the Touch Pilot controller is the Group Display screen. To access the Main Menu, press the button. The screen shown in Fig. 4 will be displayed. Selecting a button will display the screens associated with that category. The user can also access the login screen from the Main Menu if needed. “MAIN MENU” Displays the Main Menu screen. This allows access for viewing and configuration, where possible, of all points supported by the controller. This includes points such as set point and operational configuration. This button is available at all menu levels and returns the user to the Main Menu screen. “PREVIOUS” In a group of sequential screens of the same type, pressing this button moves the user to the next earlier screen in the group. “NEXT” In a group of sequential screens of the same type, pressing this button advances the user to the next screen in the group. “OK” Agrees with, or says “yes” to a prompt and performs the appropriate processing. “NO” Rejects, or says “no” to a prompt and performs the appropriate processing. “CANCEL” Terminates an ongoing action and returns to the current screen without any other processing.

“CLEAR DATA” Clears the data value in a data entry dialog box. See EnableOffRemote Contact Switch SW1 on page 17 for additional information. Several items are password protected. When required, a Password dialog box will be displayed for field input of the password. The default password is 3333. The password can be changed if desired. PowerUp Display — When the Touch Pilot display is powered up, it displays an initialization progress bar and attaches initiates communication to the Main Base Board. The Touch Pilot display then shows that controller’s default Group Display screen. See Fig. 2. This is a userconfigured display screen Touch Pilot Menu Structure — The user can navigate through the Touch Pilot display screens by selecting the buttons that appear on the screen. When a button is selected, either a submenu or a list of point names and values will be shown. Submenus will display a list of associated point names. See Fig. 5 for the Touch Pilot menu structure. If the list of point names and values are shown, the top line of the display is the table name. The line and total line counter is displayed in the upper right corner of the display. Selecting an item will cause a Point Data dialog box to appear. Setup Menu Screen — The Setup Menu screen, shown in Fig. 6, is accessed by pressing the Setup button from the Main Menu. This configuration allows the user to configure the basic operation and look of the display. The date can be formatted in one of 3 settings, MMDDYYYY MonthDayYear, DDMMYYYY DayMonthYear, or YYYYMMDD YearMonthDay. Units of measure can be either US English or Metric SI. This button selects the active language and font of the display. Available languages are English and Spanish Espanol. Contact your Carrier representative for instructions and software. This button adjusts the LCD contrast. NOTE Touching the screen anywhere for 5 seconds while poweringup will prompt the user to restore contrast and calibration settings to factory defaults.

This button specifies whether backlighting should be kept on at all times or turned off during inactive periods. This button is used to adjust the LCD touch screen calibration. Touch the screen in

the circular targets located first in the upper left and then in the lower right corner of the screen to adjust. This button is used to configure the limited and full loggedin access system passwords. In order to change passwords, the user must be logged in with full access to view and change the passwords. All passwords must consist of 4digits, which can be entered using the numeric keypad. If the user does not log in, readonly access to all tables is allowed. The user will be prompted to log in when attempting to access passwordrequired functions. This button is used to view the description data and part number from the CtrlID Table and to specify the Operating Mode. The Operating mode can be configured for Equipment mode or Network mode. For Touch Pilot displays that are standard with the unit, Operating mode should not be changed from Equipment mode. Equipment mode provides access only to the chiller's MBB via the Local Equipment Network LEN Bus. For remote access, a remote Touch Pilot display can be set to Network mode. DISPLAY NOTE When changing the operating mode, a power cycle is required in order for the new operating mode to take effect. The user should view and correct the following CCN data address and baud rate, alarm acknowledger, and broadcast acknowledger designation. This button is used to configure the bus and element numbers and the baud rate of the control on the network. Group Display screens show status information along the top of the screens and nine buttons that display nine point names and point values that are chosen by the user. All Group Display screen points are user configurable. The bottom line of the screen contains navigation buttons that can be used to move between the Group Display screens.

Pressing a point button will show that point's Point Data dialog box. See Fig. 2 and 3. This box contains buttons that remove the point from the group display and apply or remove a force point override. When touching any button in the display screen, the button will be outlined to acknowledge input. There may be a delay in response to input, but if the button is outlined, do NOT press any other button until the previous input has been processed. If there is a communication failure with the MBB Main Base Board, all point buttons will be displayed in inverse video and the message Communication Failure will be displayed in the top left line of the screen. Default Group Designation — The default group is the first of the 8 Group Display screens. This is the default screen of the display. Information on this screen as well as the other 7 screens can be usermodified to meet the needs of the site. To Add a Point To a Group Display — From the Main Menu, press the desired menu button Status, Setpoint, Service, Maint, or Config and, if necessary, the submenu button to access the point to be added. Press the point button to show the source point's Point Data dialog box. See Fig. 3. From the Point Data dialog box, press the ADD button. The display will show the last Group Display accessed. Use the navigation buttons to access the destination Group Display. This can be useful for diagnostics to determine when alarms occur. The control is factory configured for the proper date and is set for the Eastern Time Zone. The date and time zone must be checked and corrected if necessary, to allow the machine to function on an internal time schedule and to display a proper time and date stamp for alarms. The time and date is displayed on the Group Display Screen. To change the Time and Date, press the Main Menu button. Select Time. On the display, a day and date box with a time box will be shown. To change the day and date, press the day and date box. A calendar will be displayed.

If the correct month is displayed, touch the correct date. If the wrong month is displayed, use the or to change to the correct month and select the correct date. The date will highlighted. Press to accept the change. The previous screen will be displayed with the corrected day and date shown. To correct the time, use the the or or on the left to change the hour. Use on the left to change the minutes. Continuously touching the or will sequence the numbers. The time is shown in a 24hour format. To accept the changes, press the or buttons. A "Save" dialog box is displayed with the words, "Do you wish to save changes" Press to accept the changes. 6 display will be shown. If communication is not established, the Navigator module will display Communication Failure If the Navigator module is connected to a Main Base Board without software loaded, the display will remain at the poweredup

initialization display. Setting the Time and Date — The ComfortLink control has a time and date function. The control is factory configured for the proper date and for use in the Eastern Time Zone. The control must be checked and corrected if necessary. The correct time is important if the machine is to function on an internal time schedule and display a proper time and date stamp for alarms. The time and date will be displayed on the default rotating display of the Navigator module. The time and date can also be checked and changed under the Time Clock mode as described below. Press to add the highlighted point to the group and return to the table display. To Remove a Point From a Group Display — From the Point Data Dialog box, press the REMOVE button and follow the prompts. The display will return to the Group Display screen from which the point was removed, and the button corresponding to the deleted point will be blank and disabled. The display has up and down arrow keys, an ENTER key, and an ESCAPE key.

<http://eco-region31.ru/bosch-vision-300-series-front-load-washer-manual>