

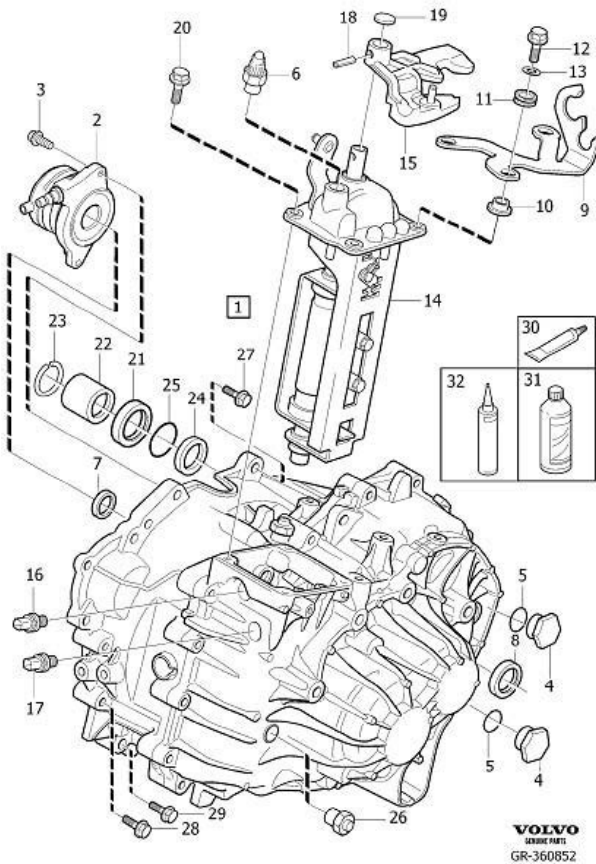
Book Descriptions:

Cp7600 manual

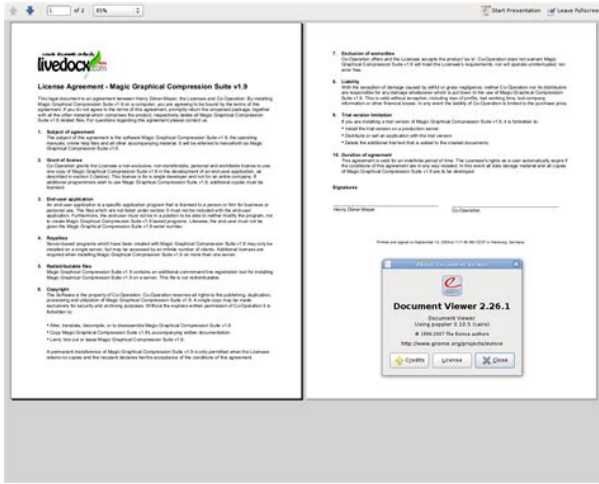
Please upgrade your browser or activate Google Chrome Frame to improve your experience.

Accurate torque. Operators comfort for more productivity. Fast rundown. You may have to register before you can post click the register link above to proceed. To start viewing messages, select the forum that you want to visit from the selection below. In this video, Hunter Engineering explains that when your car is out of alignment, you may experience irregular tire wear, handling problems, or a crooked steering wheel. Hunter Engineering Company Sep 1, 2020 Video Network VIDEO Why do we balance wheels. In this video, Hunter Engineering explains that wheels are balanced to cancel out the uncomfortable vibration that can be felt when an unbalanced wheel is traveling at speed. All rights reserved. EQ290 206 MuellerKueps LP Jul 28, 2020 More in Air Tools Sponsored The ultimate guide for what to look for when purchasing lifts The 2019 Vehicle Lift Guide covers an overview of different lift designs, purchasing considerations, safety and maintenance insights, and new products, as well as equipment reviews. The impact air ratchet has an impacting mechanism that can help prevent injury on the job. All rights reserved. Its compact, lowprofile design makes it the perfect edge device for decoding digitallydistributed content at the hub.This versatile performer decodes up to six standard definition MPEG2 video services tobaseband, each with dual balanced stereo audio. For architectures requiring decoding of morethan six services, several CP 7600 APs can be cascaded together, each decoding differentchannels from the same ASI source. In a Gigabit Ethernet environment, the source contentcan be distributed to multiple CP 7600 Gs using an external Gigabit Ethernet switch. Theeasytouse graphical user interface makes configuration straight forward and intuitive.<http://geojeoceanhotel.com/userfiles/20201014065800.xml>

- **terayon cp7600 manual, 1.0, terayon cp7600 manual.**



The perfect combination of performance, reliability and flexibility continues Terayon's tradition of picture perfect picture quality —the lynchpin of Terayon's design philosophy. In applications where edge decoding to analog is not required, the CP 7600 can be used to decode services for quality monitoring via a standard analog video monitor prior to downstream distribution. This ability to monitor quality allows for feed or switching errors to be detected sooner, resulting in less downtime and increased customer satisfaction. The CP 7600 delivers three times the professional decoding power of any competitor. Its Terayon designed firmware restricts audio video synchronization delay to a mere three milliseconds, achieving as close to real time decoding as possible. Thank you, for helping us keep this platform clean. The editors will have a look at it as soon as possible. If you want NextDay, we can save the other items for later. Order by, and we can deliver your NextDay items by. You won't get NextDay delivery on this order because your cart contains items that aren't "NextDay eligible". In your cart, save the other items for later in order to get NextDay delivery. Oops! There was a problem with saving your items for later. You can go to cart and save for later there. Ask a question Ask a question If you would like to share feedback with us about pricing, delivery or other customer service issues, please contact customer service directly. So if you find a current lower price from an online retailer on an identical, instock product, tell us and we'll match it. See more details at Online Price Match. All Rights Reserved. To ensure we are able to help you as best we can, please include your reference number Feedback Thank you for signing up. You will receive an email shortly at Here at Walmart.com, we are committed to protecting your privacy. Your email address will never be sold or distributed to a third party for any reason. <http://www.norbertov.cz/UserFiles/fleetwood-rv-service-manuals.xml>

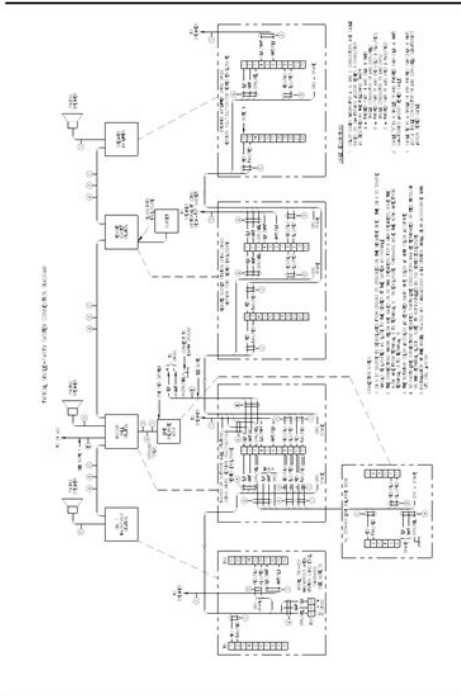


If you need immediate assistance, please contact Customer Care. Thank you Your feedback helps us make Walmart shopping better for millions of customers. OK Thank you! Your feedback helps us make Walmart shopping better for millions of customers. Sorry. We're having technical issues, but we'll be back in a flash. Done. This best selling compound has contributed to countless wins and podium places in many Touring car, GT and rally championships around the world. Best Selling Competition Brake Pad Extremely High Friction Level 0,54 mu Higher Initial Bite DS3000 compound brake pads offer an extremely high friction level at any temperature or speed and have a higher initial bite compared to other brake pads. Bedding in time is greatly reduced up to 50% faster than other materials. The flat friction curve characteristics of DS3000 brake pads give the driver constant predictability in all conditions. You will be redirected to our finance provider, V12 Retail Finance, who will guide you through the simple 2 minute application to apply for your finance. For more information please visit our finance page. Please note finance is only available on UK orders. You can unsubscribe at anytime. Subscribe Personal information provided may be collected, used and disclosed in accordance with our Privacy Policy Connect with Us Connect with us on your favourite social networks. We'll let you know what we're up to, and you can tell us how we're doing. Manage, monitor and maintain the video head end and management IP network. Complete TV listing updates, blackouts for sporting events, subscriber service activations and deactivations, and broadcast channel change updates within the conditional access system. Create and implement operating procedures for head end. Provide technical support for level 1 and level 2 in the network operations center. Assist vendors with fault isolation and resolution. Give presentations and site tours for potential clients.

Performing duties as the network team lead and architect. Network design of, wireless, data center, core and corporate infrastructure for production and test network implementation. Track, report, and resolve network related issues. Manage and maintain corporate SSL, wildcard certificates, and domains. Work with vendors for circuit design, sizing, procurement, and turnup. Work with vendors for network equipment build of material and acquisition. Work with corporate facilities and vendors for power requirements and installation. IP address management and allocation, project management, and network security to mitigate network vulnerabilities and attacks. Assisted with the corporate Mitel telephony system migration and manage corporate telephony infrastructure. Assisted with designing and implementing the corporate MPLS IP VPN cloud between data centers and remote locations. Administrator of network monitoring, network access, and web filtering. Instrumental in filling network team positions and train new team members. Report, track, and resolve VOD and video trouble reports and tickets using Remedy ticketing system. Create operating procedures, training documents, and video network diagrams. Maintain and configure video equipment to include SEM, BMR, DM, Encoders, Decoders, Muxes, and VOD clusters. Provide technical support for multiple operations centers and video headends. Assist content management, conditional access, and Seachange to resolve VOD and content issues. Assist headend and Spotlight

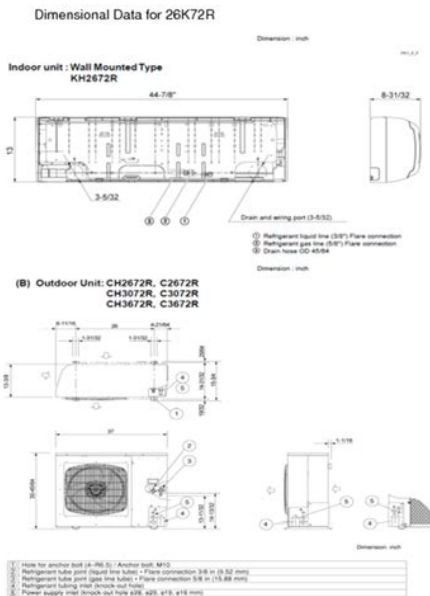
consequences of using the listed values for risk assessment, rather than actual values unique to each situation.

<https://www.mistressayn.com/images/95-honda-civic-manual-mpg.pdf>



It will help you understand what you need to do to comply with the Control of Vibration at Work Regulations 2005 The Vibration Regulations 2005. Values measured in a specific workplace may differ from declared values. Actual exposure values and associated risk will be unique to each workplace and workstation. Potential risk to each individual depends on a variety of factors such as workstation design, surrounding environment, operator proficiency, material being worked and amount of exposure time. The employer is responsible for adhering to any applicable legal requirements regarding workplace health and safety and for evaluation of actual vibration and sound levels based on factors affecting the workplace environment. RedBlackTools or Chicago Pneumatic cannot be held responsible for the consequences of using the listed values for risk assessment, rather than actual values unique to each situation. Sound and Decibel Readings of the Chicago Pneumatic CP7600XbR4P Bluetork Nutrunner We have been supplying the trade with equipment, abrasives and industrial chemicals since 1976. When looking for parts online please keep a note of your tool's serial number, as in some cases the model may have been redesigned and therefore have a new manual.If you already know your part number, please enter it below. Add rows to add more parts. Learn more opens in a new window or tab This amount is subject to change until you make payment. For additional information, see the Global Shipping Programme terms and conditions opens in a new window or tab This amount is subject to change until you make payment. If you reside in an EU member state besides UK, import VAT on this purchase is not recoverable. For additional information, see the Global Shipping Programme terms and conditions opens in a new window or tab Estimated delivery dates opens in a new window or tab include sellers dispatch time, and will depend on postal service selected.

<http://mitchellbrothersloghomes.com/images/95-honda-civic-manual-for-sale.pdf>



Delivery times may vary, especially during peak periods. Learn More opens in a new window or tab Learn More opens in a new window or tab Learn More opens in a new window or tab Learn More opens in a new window or tab Please try again later. See the sellers listing for full details. You're covered by the eBay Money Back Guarantee if you receive an item that is not as described in the listing. Find out more about your rights as a buyer opens in a new window or tab and exceptions opens in a new window or tab. Contact the seller opens in a new window or tab and request a postage method to your location. Please enter a valid postcode. Please enter a number less than or equal to 1. We may receive commission if your application for credit is successful. Terms and conditions apply. Subject to credit approval. We may receive commission if your application for credit is successful. All Rights Reserved. User Agreement, Privacy, Cookies and AdChoice Norton Secured powered by Verisign. HashtagAP Racing CP 7600 4 POT Brake Pad AP Racing CP7600. Steel braided brake hose. Original AP Racing with part number. Works normally and no prob. Min velg Ring 16. Price 1x jt nego. Contact 087778088039 wa only We beg to differ. Because you never know when you need that extra Braking power. AP Racing 7600 for this Honda Jazz GK. Sales or appointment enquires, please call Or whatsapp us. Office 6386 8033. Wilson 9640 6180. Zender 9128 3083 Body Material Aluminium Alloy. Piston Material Aluminium Alloy Who says you need a powerful car to enjoy the safety of a AP Racing Brake Kit Sales or appointment enquires, please call Or whatsapp us. Office 6386 8033. Wilson 9640 6180. Zender 9128 3083. Nikon has included DLighting technology which corrects exposure problems in playback and incamera redeye removal. Facepriority AF is a new features which finds and focuses on peoples faces in Portrait mode.

The Coolpix 7600 also boasts a 3x optical zoom 38114mm, 1.8inch LCD, five movie modes and take SD storage. It will be available in Europe in Springtime in black and silver. The Coolpix 7600 will only be available in black in the US. Macro shooting enables the user to take closeups as close as 4cm 1.6 inches Nikon's exclusive DLighting function is available in Playback mode for use on images with excessive backlight or insufficient flash. At the touch of a button, DLighting keeps bright areas bright, while automatically adding light and detail to the darker parts. Available in Portrait mode, this unique capability has the power to automatically find and focus on people's faces to ensure sharpness in portrait images where it is needed. Compact dimensions and a well designed grip make

it feel extremely comfortable in the hand. It also features a new Graphic User Interface GUI which enables the user to select functions by name or by icon according to their preferences. What's more, the COOLPIX 7600 also features a useful HELP button. Located conveniently on the back of the camera, the HELP button provides an explanation for functions on the main menu, so there's no need to worry if you haven't had time to read the manual. The COOLPIX 7600 has even been designed to be more energy efficient — enabling the user to take up to 100 images when using two AA-size alkaline batteries. All the user has to do is select the Scene Mode that most closely matches the subject, such as Sunset or Portrait — the COOLPIX 7600 then takes care of selecting the optimal settings for the best results. Four of the Scene Modes feature the additional advantage of Scene Assist too, which makes it easier for virtually anyone to achieve more appealing composition. And new to the COOLPIX 7600, there's also a BSS copy function available in Copy mode, which automatically activates the BSS function to achieve the best possible results.

<http://limpiasol.com/wp-content/plugins/formcraft/file-upload/server/content/files/162865c142c2d7---c4-corvette-service-manual-pdf.pdf>

Users can choose from a selection of five movie modes, two of which can shoot movies at a smooth 30fps. Furthermore, the COOLPIX 7600 features Nikon's new Electronic VR Vibration Reduction function, which can be activated during movie shooting to achieve more stable results when it is difficult to keep the camera steady. The COOLPIX 7600 can also be easily connected to a TV making it easy to enjoy the results with friends and family. The COOLPIX 7600 also has approximately 14MB of internal memory, enabling images to be recorded on the camera without a SD memory card. PictBridge compatibility makes it possible to print directly to a compatible printer without the need for a computer. The COOLPIX 7600 also offers the added convenience of being able to select different print sizes actually in the camera. Note Specifications, design, product name, standard accessories, and release schedule may differ by country or area. The handy InCamera RedEye Fix function automatically detects, then corrects red eyes incamera, turning shots compromised by flash into pleasing night portraits. The highly impressive DLighting function automatically compensates for excessive back light or insufficient flash — transforming the quality of such recorded images at the touch of a button. The Facepriority AF function automatically detects people's faces in the picture and provides optimal focus accordingly. A redesigned Graphic User Interface GUI lets users navigate and select functions by either name or icon, and a handy HELP button displays a description for each of the functions on the main menu so there's no need to worry about getting confused. The COOLPIX 7600 also has a 1.8inch LCD with increased brightness that makes it easy to compose shots and view the results. In addition to these factors, the COOLPIX 7600 is compact and has a well-designed grip — so it feels comfortable in the hand and helps make taking pictures easy. Be the first to write one!

www.cjacksonlaw.com/ckfinder/userfiles/files/compucarve-manual.pdf

It includes updates to Panasonic's DFD autofocus system, creative photo modes, and video features that come close to matching the more expensive S1H. 281 Nikon Z5 initial review review Sep 1, 2020 at 1300 Nikons new entrylevel mirrorless fullframer feels anything but entrylevel. And it may well be the model best positioned to convert remaining Fmount holdouts to Zmount. 1193 Canon EOS R6 Review not the hybrid king, but a great photographers camera review Aug 26, 2020 at 1440 The Canon EOS R6 doesnt quite live up to the full promise of its doeverything specs, but its a great photographers camera. 1222 Sony a9 II review review Aug 19, 2020 at 1300 The Sony a9 II didnt make a huge splash in the industry when it launched, but its certainly left an impression on us. Read our full review to see why its got the best autofocus system weve ever seen. 747 Olympus OMD EM10 Mark IV initial review first impressions Aug 4, 2020 at 0600 The Olympus OMD EM10 IV is the companys entrylevel DSLRshaped mirrorless camera. While it has a higher resolution sensor and new processor, its biggest focus is on selfies. Weve selected our favorite lenses for Sony mirrorless

cameras in several categories to make your decisions easier. The best camera bargains of 2020 Aug 13, 2020 at 2158 If you're looking for a high-quality camera, you don't need to spend a ton of cash, nor do you need to buy the latest and greatest new product on the market. In our latest buying guide we've selected some cameras that might be a bit older but still offer a lot of bang for the buck. These midrange cameras should have capable autofocus systems, lots of direct controls and the latest sensors offering great image quality. Best cameras for sports and action Aug 11, 2020 at 0146 What's the best camera for shooting sports and action. Fast continuous shooting, reliable autofocus and great battery life are just three of the most important factors.

In this buying guide we've rounded up several great cameras for shooting sports and action, and recommended the best. Canon R5 Firmware 1.1 Is the overheating fixed Sep 4, 2020 8 Canon Australia announces that the online Canon Store will close at the end of the month Canon Australia has announced that the online Canon Store will close on September 30. This drastic change is due to current Australian market conditions. Canon Australia will strengthen its support of local retailers to help drive competition in the local market. It's already September, so this may be your last chance to see pictures of Calgary this year before it freezes over. Sep 4, 2020 54 sample gallery Canon Australia announces the PIXMA PRO200 professional photo printer with an 8-ink system The printer is a successor to the popular PRO100 printer, but looks almost exactly like Canon's more advanced imagePROGRAF printers. Sep 3, 2020 108 Microsoft unveils a new AI-powered tool for spotting deepfaked images and videos The tool was announced as part of Microsoft's effort to help prevent election interference in the form of digital manipulation. Sep 3, 2020 72 Skylum announces LuminarAI, an AI-powered app designed to change how you edit photos Skylum Software has unveiled the newest version of Luminar. LuminarAI has been designed around the idea of using artificial intelligence to simplify as much of the photo editing process as possible without removing the creative control of the user. The Panasonic S5 includes important upgrades to its autofocus system, but how much do those improvements extend to video. We put it to the test, shooting side-by-side against the S1H, to find out. Read on for all the details. Sep 3, 2020 293 lens news Fujifilm XF 50mm F1.0 preproduction sample gallery At long last, Fujifilm's XF 50mm F1.0 R WR lens has landed. We've been shooting around with a preproduction copy to see just how magical that F1.0 aperture looks on Fujifilm's latest cameras.

Sep 3, 2020 135 sample gallery ZTE reveals the Axon 20 5G, the first smartphone with selfie camera hidden under the display The handset's front camera is a true novelty, but whether it will prove worthwhile is yet to be seen. Sep 2, 2020 60 mobile The LomoGraflok 4x5 Instant Back lets you capture Instax Wide images with large format cameras The LomoGraflok 4x5 Instant Back makes it so Braflokequipped 4x5 cameras can capture proofs with Instax Wide instant film — a welcomed option considering peel-apart film was discontinued back in 2016. Sep 2, 2020 52 Handson with the Panasonic Lumix S5 The Panasonic Lumix DCS5 is a smaller, more affordable addition to the line of full-frame mirrorless cameras. Its video spec is similar to that of the S1 with V-Log upgrade, its autofocus particularly for stills is improved, but it's both smaller and less expensive than the S1. Sep 2, 2020 85 Panasonic Lumix DCS5 initial review The Panasonic Lumix DCS5 is a full-frame mirrorless camera but in a body smaller than the Micro Four Thirds GH5. It includes updates to Panasonic's DFD autofocus system, creative photo modes, and video features that come close to matching the more expensive S1H. Sep 2, 2020 460 first impressions DPReview TV Panasonic Lumix S5 first impressions Chris and Jordan take a look at the Panasonic S5 and in short, they find an appealing, highly versatile tool for still photographers and videographers alike. Sep 2, 2020 46 video Panasonic Lumix S5 sample gallery Panasonic's latest S5 mirrorless camera comes with the company's latest JPEG engine and a proven sensor that combine for some fantastic image quality.

Sep 2, 2020 40 sample gallery Panasonic firmware brings 5K recording to S1R, updated autofocus to S1, S1R, S1H Hot on the heels of the S5 announcement, Panasonic has promised to release firmware

by the end of 2020 that will bring the autofocus of its existing Sseries cameras up to the standards of the newer model, and as a nice bonus, gives the S1R the ability to record 5K video. Sep 2, 2020 13 Panasonic unveils new 24, 35, 50 and 85mm F1.8 Lmount primes In addition to its camera announcement today, Panasonic also revealed that a handful of new Lmount F1.8 prime lenses are on the way. Sep 2, 2020 62 camera news Video A look at Yasuharas unique Nanoha macro lens with builtin LEDs This unusual macro lens has a little bit of everything — built in LEDs, a USB port for charging the internal battery and a maximum 5x magnification rate. Sep 1, 2020 66 video Sony announces new Amount to Emount lens adapter with builtin screw drive support The new adapter adds full autofocus support to Amount lenses with nine of Sonys most popular Emount camera systems and features an integrated motor for driving nonmotorized screwdrive Amount lenses with the a7R IV and a6600. And it may well be the model best positioned to convert remaining Fmount holdouts to Zmount. Sep 1, 2020 281 review Google Images launches Licensable badge, making it easier for users to identify creators and license images Google, in collaboration with Shutterstock, has announced the launch of the Licensable badge on qualifying images in Google Images search results. The new badge will provide Google Images users quick access to creator and licensing information and then provide a link to the appropriate websites to license selected images. Aug 31, 2020 124 lens news Understanding Olympus OMD EM1 Mark III and EM1X High Res Shot modes Among many of the technologies that Olympus has introduced, its tripod and handheld high res shot modes are among the most useful.

Click through for a more detailed look at what these modes do, and when you should take advantage of them. Aug 31, 2020 Sponsored Video What its like to photograph Formula 1 in 60 seconds MercedesAMG Petronas F1 Team photographer Steve Etherington has photographed every F1 race for the past 28 years. This 60second BTS video shows what its like to keep his record going amidst a pandemic. Aug 30, 2020 134 video Best lenses for Sony mirrorless buying guide updated Weve given our lens buying guide for Sony mirrorless cameras a refresh, with new picks for a number of use cases. Aug 30, 2020 Tips or suggestions. The “torque limited” function of the CP7782TL6 enables efficient and effective torque level control, particularly for truck, bus, and heavy vehicle tire installations where multistep torquing solutions are required. The tool’s forward mode restricts torque allowing the operator to tighten bolts with confidence. When finished with a properly calibrated manual torque wrench or BlueTork CP7600, overtightening is eliminated. For hardtoremove overtightened bolts, the CP7782TL6 delivers up to 1920 ft.lbs 2600 Nm of nutbusting torque. By clicking the submit button below, you are agreeing with Bobit Business Media’s Privacy Policy and this outlined level of consent. With the Autodiagnos TPMS D and SE tools, professional technicians can handle all of the TPMS and tire service requirements of their customers. By clicking the submit button below, you are agreeing with Bobit Business Media’s Privacy Policy and this outlined level of consent. You must have JavaScript enabled in your browser to utilize the functionality of this website. If you are interested in details, log in and check order details page. Actual product may vary. In addition to comforting low noise and dust properties there is also a significant reduction in rotor wear while still maintaining high braking characteristics.

Pedal feel has also been improved significantly over other semimetallic compound brake pads. Get this and all your JDM at RHDJapan. Brand Endless. Product Brake Pads Set MX72 AP Racing Caliper CP7600 RCP101 Caliper Manufacturer AP Racing. Piston Count 4. Caliper Series CP7600 Compatibility Applies only to registered customers, may vary when logged in. Learn more. “ THE CUSTOMERS VOICE ” Write a review RHDJapan Store Reviews ZG type standard over fenders Review by Xander Te quality is superb.Product Marugen Shoukai ZG Type Standard Over Fenders S30 S31. The promotional price was a good deal to pass. Will be hooking this baby up to my EVO 3 powered vehicle soon. Product Trust Greddy Profec Electronic Boost Controller Blue. Packaging quality is two thumbs up. Will be hooking this baby up to my EVO 3 powered vehicle soon. Awesome price by RHDJapan team. Will purchase more items from them for sure in the near future. Product

Trust Greddy Profec Electronic Boost Controller Blue. Used it on my turbocharged 1nz fe, generating 1.7 bar. Works perfectly. Easy to install and im able to fine tune boost pressure. RHD is a trustworthy dealer. Product Trust Greddy Profec Electronic Boost Controller Blue. Expensive yes it is but quality is there. Product TDemand Pro Nut Lug Nut Set Gunmetal M12P1.25 20 Piece. Ogaitocho Hirakatashi. All Rights Reserved. Please enter your email address below. You will receive a link to reset your password. Your Session is not Valid. The data on this page includes a host of information on the images, including shutter speed, ISO setting, compression setting, etc. Rather than clutter the page below with all that detail, were posting the thumbnail index so only those interested in the information need wade through it! Contrast is high, with limited detail in the highlights, but good midtone and shadow detail. Auto setting a little warm, and Manual setting reddish. Blues are bright, as are reds, greens and yellows. Good sharpness in the corners.

<http://www.jfvtransports.com/home/content/boss-gt-3-repair-manual>